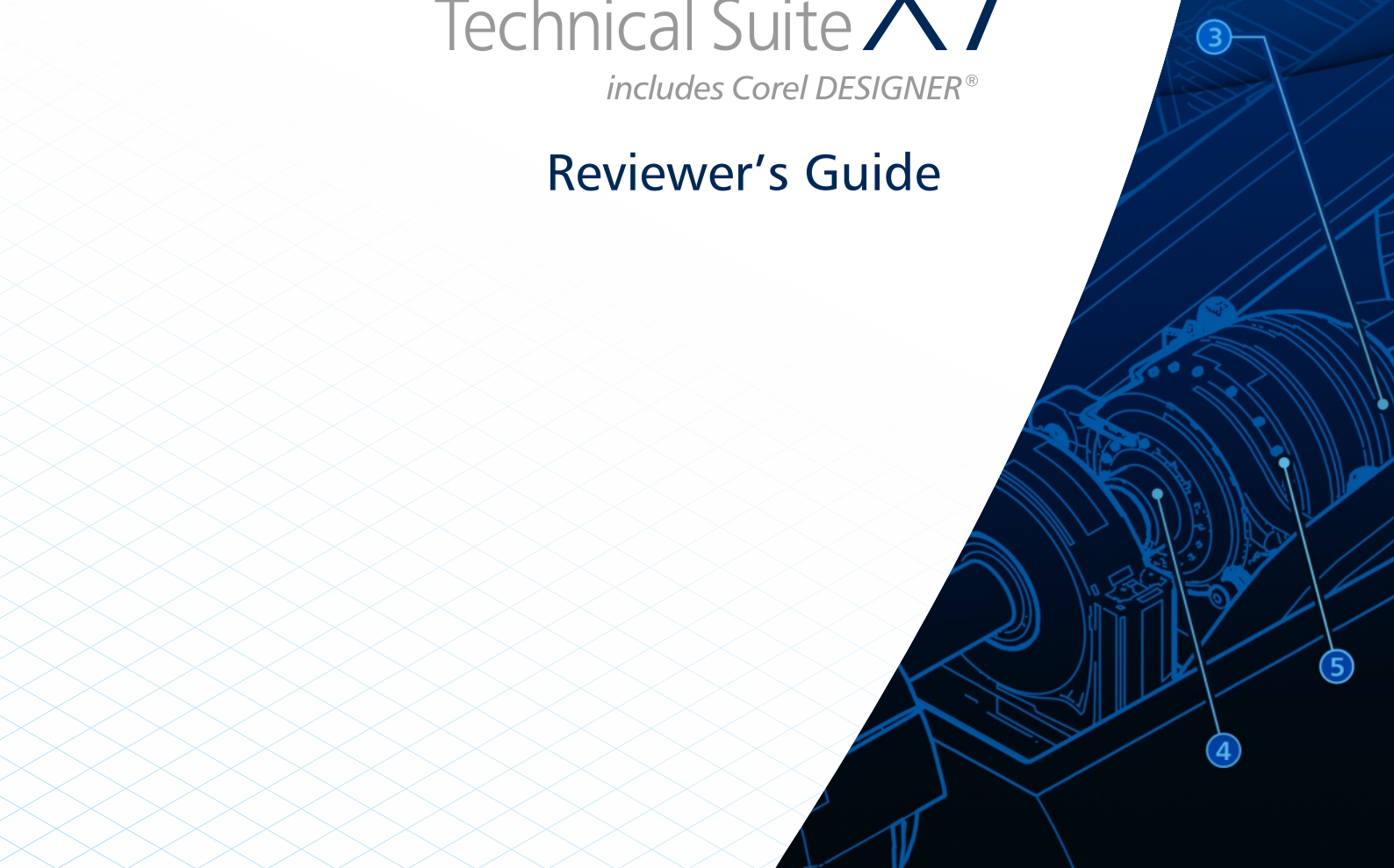


# CorelDRAW<sup>®</sup> Technical Suite X7

*includes Corel DESIGNER<sup>®</sup>*

## Reviewer's Guide



# CorelDRAW<sup>®</sup> Technical Suite X7

*includes Corel DESIGNER<sup>®</sup>*

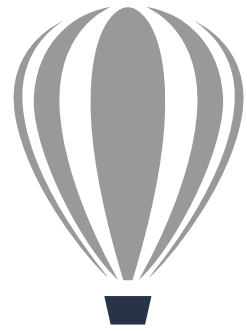
---

## Contents

1	Introducing CorelDRAW Technical Suite X7 .....	1
2	Customer profiles .....	5
3	What's included? .....	7
4	Key features .....	9
5	Lattice3D Studio CAD Corel Edition .....	19

---

# 1



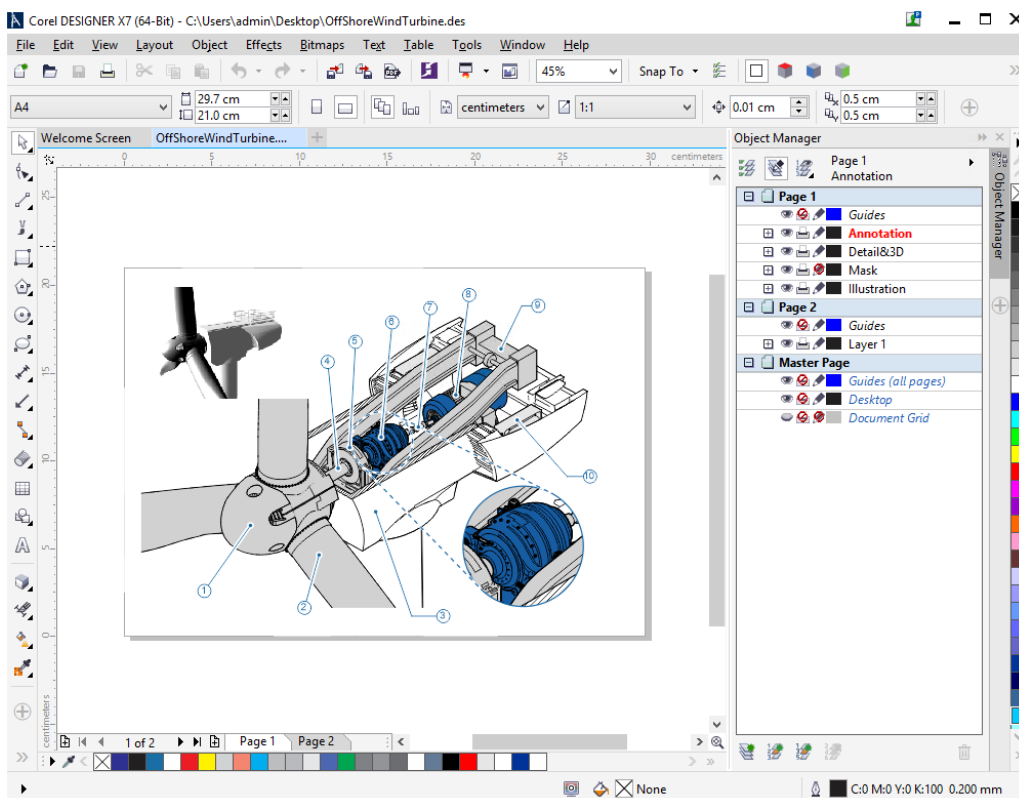
## Introducing CorelDRAW® Technical Suite X7

CorelDRAW® Technical Suite X7 is the complete solution for visual communication and technical publication — print, online and to mobile devices. Industry-leading file compatibility and precise illustration tools streamline the workflow of today's technical communication professionals and technical graphics users, simplifying single-source publishing of standards-compliant technical publications for a global market.

### Precise technical communication

Corel DESIGNER® X7 is renowned for its specialized tools and features designed for the

specific tasks required of technical illustrators. From dimension lines, callouts and annotations to threads and wells, magnified views, projected measurements and precise alignment aids, Corel DESIGNER X7 offers everything you need to create clear and accurate technical illustrations. In addition, there are new and enhanced tools and features that simplify the creation of high-quality, technical communication projects, including sophisticated documentation, detailed assembly instructions, user and maintenance manuals, and more.



## Leverage technical assets

Using CorelDRAW Technical Suite X7, you can access your critical data from various sources and ensure all of your important technical files can be delivered in a readable format. You can take advantage of Lattice3D Studio Corel Edition to open, edit, and modify 3D models and import 3D views into your technical illustrations. This 3D visualization application is fully integrated with Corel DESIGNER and Corel PHOTO-PAINT, so you can easily output 3D files to high-quality vector illustrations and bitmap renderings. And with 3D visualization efficiencies, you can insert 3D models as linked or embedded objects into any technical illustration for instant access, sharing and reference. As an optional add-on, Lattice3D Studio Corel CAD Edition lets you automatically update 3D-sourced illustrations to implement manufacturing design changes.

CorelDRAW Technical Suite X7 provides industry-leading file format compatibility, which ensures smooth collaboration with colleagues and clients alike. Whether it's AutoCAD® DWG® and DXF, Adobe® Illustrator® CS/CC, Adobe® Photoshop® CS/CC, Microsoft® Publisher, or Adobe® Acrobat®, you can access and repurpose data from a wide range of formats.

## Unmatched publishing options

Furthering its industry-leading file format compatibility, CorelDRAW Technical Suite X7 now lets you publish your document as a 3D PDF. You can export to over 100 file formats — including CGM, SVG, EPS, DWG, TIFF, PNG, JPEG — ensuring that you can easily exchange files with colleagues and clients worldwide and produce a range of downstream outputs.

## Advanced standards compliance

If your work is destined for a global audience, you can easily localize your drawings thanks to new XLIFF file support, the format used to send text to, and receive text from, Translation Memory Systems (TMS). You can also rely on compliance with various standards-based systems thanks to support for SVG and CGM, including WebCGM standards from ATA and S1000D.

## Work faster and more efficiently

With Corel DESIGNER X7, you'll work more efficiently and productively thanks to a wide array of new and enhanced features — from fills and transparencies to improved multiple document and automation workflows.

Corel DESIGNER X7 provides a powerful automation interface, which lets you publish to SVG as a background task. This also makes it easy to integrate with Content Management (CMS), Product Data Management (PDM), and Product Lifecycle Management Systems (PLM).

CorelDRAW Technical Suite X7 also provides professional creative design and image editing applications, such as CorelDRAW® X7 and Corel® PHOTO-PAINT™ X7, which are ideal for producing downstream outputs from a technical illustration or imported 3D design, such as marketing collateral, graphics, and presentation materials.

## Choose your purchase option

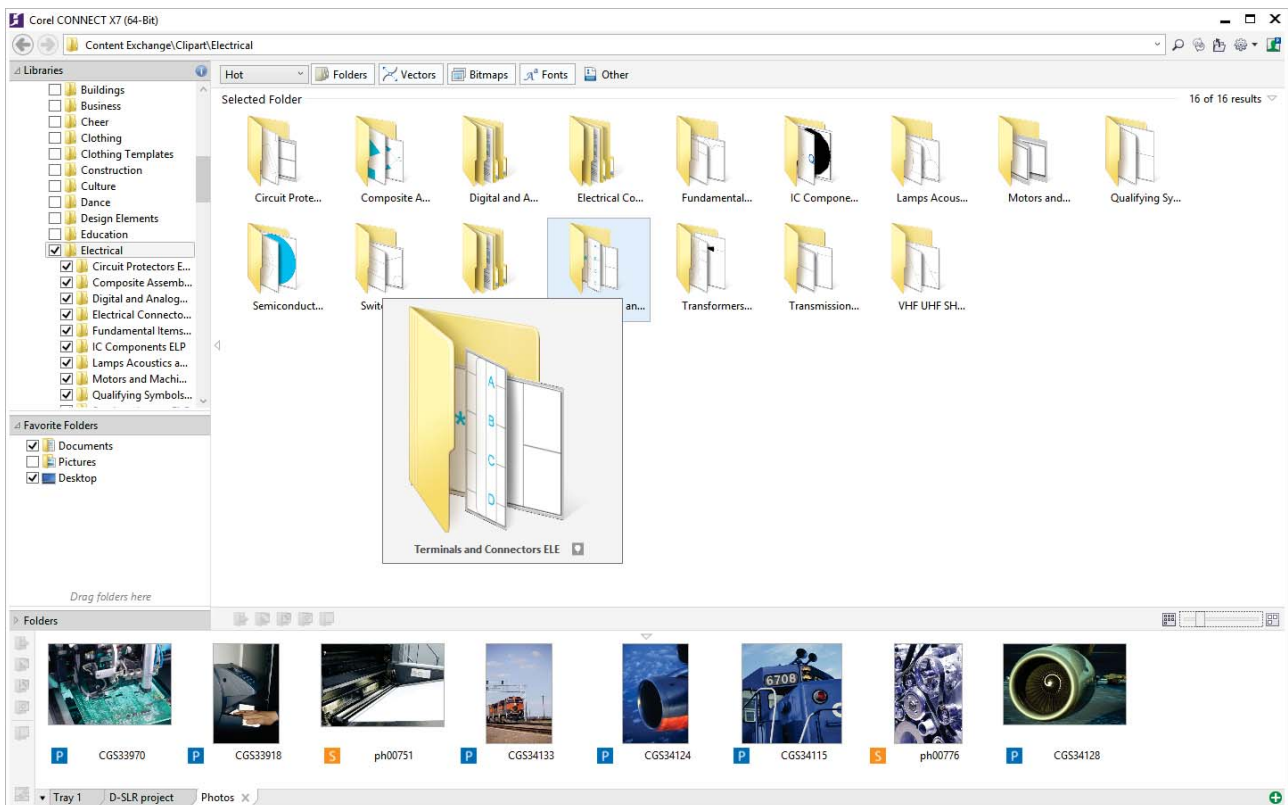
In the interest of user choice, there are several CorelDRAW Technical Suite purchase options.

### Perpetual

- **Technical Suite Standard Membership:** Anyone who licenses a box, download or multi-seat permanent license of the suite is eligible for this free membership option, which includes access to performance and stability updates, as well as access to fonts and online content and features, such as QR code validation.
- **Technical Suite Premium Membership:** This paid membership option includes access to exclusive online content, professional fonts, early access to new features and services as they become available, and upgrades to the next major version of the suite for as long as your Premium membership is active.

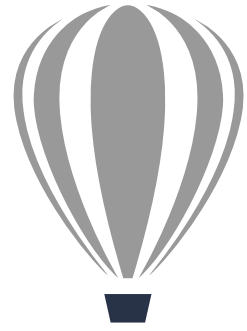
### Subscription

- Subscriptions are ideal for companies and individuals who are on a fixed monthly or annual software budget, but need the most up-to-date tools. You can rent the software for either 30 or 365 days, and you get all the benefits of the Premium membership, including complete access to online content, professional fonts, new features and services as they become available, and automatic upgrades to the next major version of the suite within the subscription term.





# 2



---

## Customer profiles

### Technical communication professionals

These users often have formal training in a technical or graphics field, such as technical illustration or technical writing. They work in discrete manufacturing, automotive, aerospace, high tech and telecommunications, architecture, engineering and construction (AEC), and apparel industries.

The graphics created by technical illustrators are used in assembly instructions, user guides, illustrated parts catalogs (IPCs), maintenance manuals, schematics, or wiring diagrams. These documents are output to various media, such as print, the web, mobile devices, and interactive electronic technical manuals (IETMs).

Technical communication professionals need create to technical publications in multiple languages for a global customer base. The ability to work seamlessly with Translation Memory Systems (TMS) used in the localization workflow is critical to streamline processes.

In addition, many small to medium-sized organizations rely on content authoring and management systems, so they seek solutions that can be easily integrated.

### Technical graphics users

These users are often self-taught in graphic design and work in large enterprise environments, such as manufacturing, automotive, telecommunication, pharmaceuticals, chemicals, and energy industries.

Among their many tasks and responsibilities is the need to create a variety of graphics, including diagrams used in presentation materials, floor plans, schematics, and marketing materials.

These users may create graphics from scratch or base them on legacy files. They often work collaboratively, and the graphics they create may later be imported for reuse with office-productivity, diagramming, and desktop-publishing software.

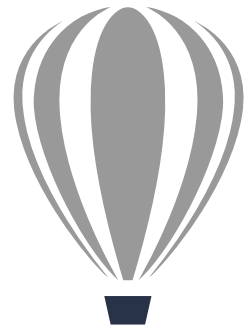
In a typical organization, there may be many technical graphics users spread across several departments. They are not generally required to use the software daily, and as such, they do not often get opportunities for extensive training.

They require cost-effective and easy-to-use solutions that enable them to repurpose legacy files and 2D CAD data, create basic technical diagrams, and publish standardized outputs.





# 3



## What's included?

### Applications

- **Corel DESIGNER® X7:** This specialized application streamlines the technical graphics workflow by offering precision vector drawing, page layout, and diagramming tools that meet the demands of technical illustrators and technical graphics users.
- **CorelDRAW® X7:** This intuitive vector-illustration and page-layout application is the perfect partner for Corel DESIGNER. It offers graphics users additional creative graphics and design tools that are ideal for more artful endeavors, such as marketing collateral outputs.
- **Corel® PHOTO-PAINT™ X7:** This professional image-editing application lets you quickly and easily retouch and enhance photos for both technical communication and creative graphics projects.
- **Corel® PowerTRACE® X7:** This convenient utility lets you quickly and accurately convert bitmaps, such as scanned blueprints, into editable vector graphics.
- **Lattice3D Studio Corel Edition:** This 3D authoring application lets you create vector illustrations and photo-realistic renderings from 3D views, including cross sections and 3D element modifications, such as the creation of exploded views.
- **Lattice3D Player:** This 3D viewer is integrated with Corel DESIGNER X7 for the insertion of 3D data assets in technical illustrations. It provides the ability to modify 3D views and display modes.
- **Corel CAPTURE™ X7:** This one-click utility lets you capture images from your computer screen, which is especially useful for creating illustrated software documentation, such as user guides.
- **Corel® CONNECT™ X7:** This full-screen browser connects you to the suite's digital content library, and lets you search your computer, local network, and online sources to quickly find the perfect complement for an illustration. Fully integrated, it is also available as a docker in Corel DESIGNER, CorelDRAW, and Corel PHOTO-PAINT.
- **Corel® Website Creator™:** This application offers a fast and easy way to design, build, and manage websites.
- **PhotoZoom Pro 3:** This plug-in lets registered users export and enlarge digital images from Corel PHOTO-PAINT.

### Supporting applications

- **Microsoft® Visual Basic® for Applications 7.1:** This integrated development environment includes 64-bit support and helps you streamline your workflow by automating tasks.
- **Microsoft® Visual Studio® Tools for Applications:** This toolset includes the power of the .NET framework, so developers can create time-saving plug-ins and add-ons with Visual Studio to automate tasks and extend functionality.
- **Duplexing wizard:** This wizard helps you optimize your work for two-sided printing.
- **Barcode wizard:** This wizard lets you generate bar codes in a wide range of industry-standard formats.
- **Bitstream® Font Navigator®:** This award-winning font manager for the Windows® operating system helps you manage, find, install, and preview fonts.

## Content

- More than 4,000 industry-standard Architectural, Electrical, General, Mechanical, and Tools symbols
- More than 350 templates, including more than 40 technical ANSI, DIN, and ISO standard templates
- 10,000 high-quality clipart and images
- 1,000 all new professional, high-resolution digital photos
- 1,000 OpenType® fonts, including premium fonts, such as Helvetica®
- 800 frames and patterns

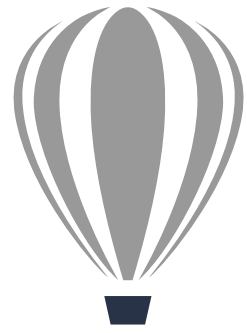
## Documentation

- Online Help files
- User Guide (PDF)
- Macro Programming Guide (PDF)
- Video tutorials

## Minimum system requirements

- Microsoft® Windows® 8, Microsoft® Windows® 7 (32-bit or 64-bit editions), all with latest service packs installed
- Intel® Core® 2 or AMD Athlon™ 64
- 2 GB RAM
- 1 GB hard disk space (for typical installation without content)
- 1280 × 768 or better monitor resolution
- Mouse, tablet, or multi-touch screen
- DVD drive (required for box installation)
- Microsoft® Internet Explorer® 8 or higher
- Internet connection required for product activation (download version), Membership and Subscription services, installing updates and access to some features, including the Content Exchange and QR code tools

# 4



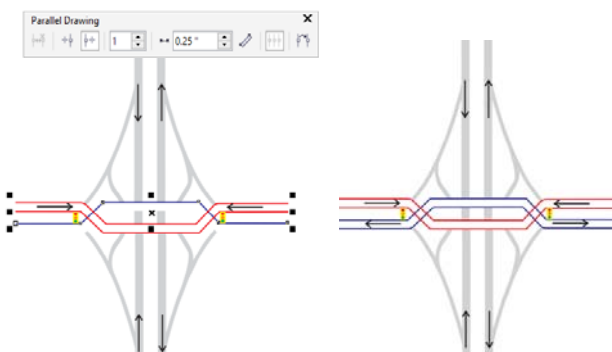
## Key features

CorelDRAW Technical Suite X7 is a complete and cost-effective solution for authoring visual communications for publishing to print, online, and mobile devices.

### Precise technical communication

Technical illustrators require specialized tools designed for very specific tasks. CorelDRAW Technical Suite X7 provides drawing and illustration features that help users work with precision.




**New! Parallel Drawing mode:** To speed up the creation of all kinds of technical graphics, from wiring diagrams to architectural designs, Corel DESIGNER X7 has added the Parallel Drawing mode. It allows you to simultaneously draw multiple parallel curves while controlling the distance between them. The Parallel Drawing toolbar lets you set the number of parallel curves to create and position them with precision, and preview the curves as you draw them. In addition, you can create a series of parallel curves based on an existing curve.



*You can draw parallel curves simultaneously.*

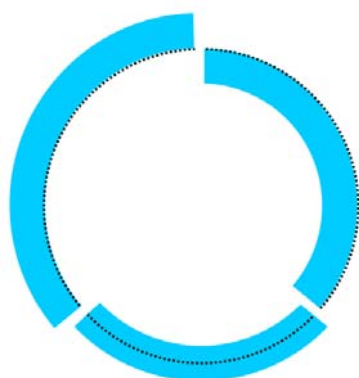
### Give it a try

#### Drawing parallel curves

- 1 With drawing open, click the **Curve tools** button, and click a curve tool.
- 2 On the property bar, click the **Parallel Drawing** button .  
The **Parallel Drawing** toolbar displays.
- 3 On the **Parallel Drawing** toolbar, click the **Parallel Lines** button .
- 4 Specify the number of parallel lines to be added in the **Number of lines** box.
- 5 Click the **Preview lines** button  to preview a parallel line while drawing.
- 6 Specify the distance between the original line and the parallel line by typing a value in the **Distance** box.
- 7 Draw a curve in the drawing window.

**Enhanced! Node editing:** The Object Coordinates docker lets you draw and modify shapes and lines with precision, and now you can reposition a node in a curve object by specifying its coordinate. The live preview in the drawing window lets you see the effects of your adjustments.

**New! Outline Position** With Corel DESIGNER X7, the new Outline Position options help you create objects with more precise sizes. The Inside outline, Outside outline, and Centered outline buttons let you specify whether an outline is positioned inside the object, outside the object, or an equal combination of both. By positioning an outline inside an object, you can more easily create elements in your designs, such as walls, with specific sizes because the outline will be rendered within the object's original measurements.

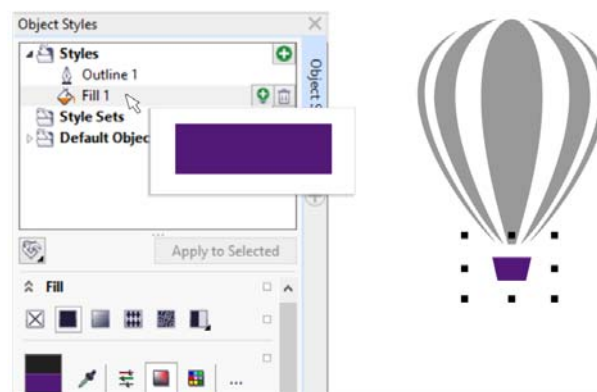


*You can specify whether an outline is positioned inside the object, outside the object, or an equal combination of both.*

**Enhanced! Special characters, symbols, and glyphs:** The revamped Insert Character docker presents all characters, symbols, and glyphs associated with a selected font, making it easier than ever to find these items and then insert them in your documents. Available in Corel DESIGNER X7, CorelDRAW X7 and Corel PHOTO-PAINT X7, the docker includes a filtering option that lets you display only the character subsets that you want. For example, you can choose to display only the numbers or mathematical symbols for a selected font.

**New! Object styles preview:** Object styles save you time because you can edit a style or a style set once and have the changes applied instantly throughout a project. For example, you can define style sets for callouts and dimension lines, and use the style sets to consistently format all callouts and dimension lines in a project. A new pop-up now appears when you hover over a style in the Object Styles

docker, offering a quick preview of the style before it's applied.



*You can preview a style before applying it.*

**Enhanced! Symbol styles options:** If a symbol in your drawing uses styles that differ from those in its external definition and you break the link between the symbol and its definition, you can rename the styles or merge them. You also have these options when converting a linked symbol to an object.

**Enhanced! Color Styles docker:** The Color Styles docker lets you use styles and color harmonies to manage colors and quickly implement project-wide color changes, which is especially useful for producing iterative designs and varying graphic outputs. It's now easier to view, arrange, and edit color styles and color harmonies. You can now specify the brightness value for a color, and constrain the Harmony Editor's selector ring, which preserves saturation and hue while you adjust the color.

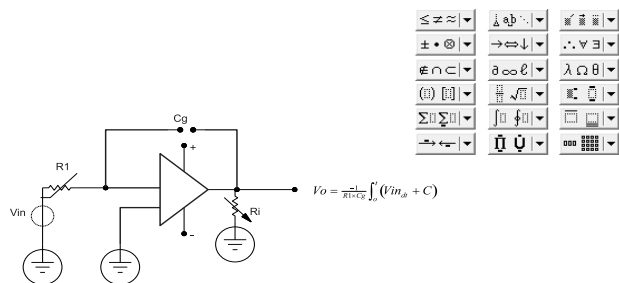
The Color Styles docker also offers convenient View Options, including Hint View, which provides a visual indication of all document objects that use a specific color style, and Page Sorter, which displays thumbnails of all pages in a multi-page document and previews changes as you adjust colors. You can also click **View ▶ Page Sorter** to access thumbnails of all pages in a document, with live previews of changes you make to the document's color styles.

**New! QR Codes:** With Corel DESIGNER X7, you can now add scalable QR codes to a drawing, allowing you to give technicians in the field the ability to link to online technical documentation from printed documentation or machine labels using a smartphone.

The Property Manager docker makes it easy to customize a QR code, and you can create an object style that saves a fixed appearance for the QR code to enable quick and easy reuse.

You can change the shape, outline width, color, and fill type of the QR code pixels, change the background color and fill type, and more. There's also a **Validate** option, which analyzes the QR code to ensure it can be read by QR code readers, smartphones, and scanners.

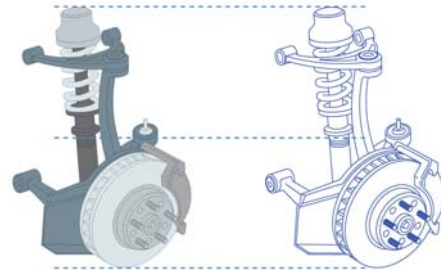
**New! Corel Equation Editor:** You can manage formulas as editable elements within technical illustrations using the Corel Equation Editor. It lets you create and format mathematical and scientific formulas, and insert them in a Corel DESIGNER X7 drawing as scalable text. The Corel Equation Editor also lets you modify an equation in a drawing or reuse legacy equations from CorelDRAW (CDR) files.



You can create formulas and insert them in a drawing.

**New! Alignment and Dynamic Guides docker:** When creating a design, alignment and dynamic guides give technical illustrators speed and precision. Alignment guides help you position objects more quickly and lay out a drawing with precision by appearing on the fly with suggested alignments to existing objects on your page. Dynamic guides help to align, draw, and move objects in precise relation to other objects.

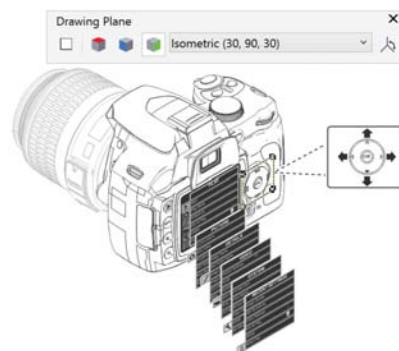
You can use the new Alignment and Dynamic Guides docker to access and modify the configuration of these guides more quickly. With alignment guides, the new Intelligent Spacing guides make it easier to precisely position objects with the same spacing as nearby objects. Plus, the new Intelligent Dimensioning guides help you scale or rotate an object in relation to the dimensions or rotation angle of nearby objects.



You can use alignment guides to position objects quickly.

**Projected drawing:** In addition to the ability to draw in isometric and other projected views, Corel DESIGNER X7 provides dedicated Projected Shape tools, which include Thread, Well, Cylinder, and Prism tools. You can quickly and easily draw thread and well shapes in projected space for the creation of bolts, nuts, well nuts, and more. These shapes are frequent requirements for detailed technical illustrations, and are usually not included in CAD and other 3D source files.



The ability to add this level of detail helps technical illustrators ensure that their visualizations are clear, with all required parameters specified onscreen.



You can draw in isometric or other parallel projections from scratch or to add context and detail to imported 3D views.

## Give it a try

### Working with threads and wells

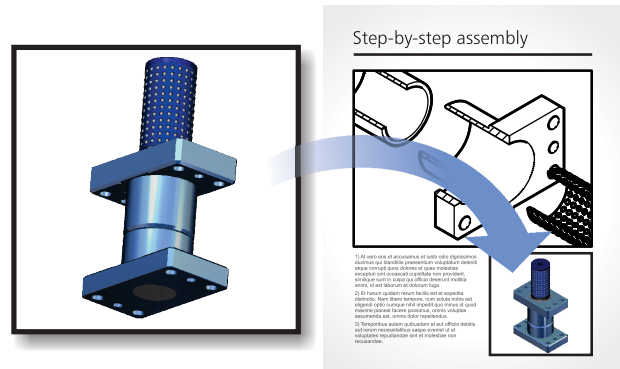
- 1 In Corel DESIGNER X7, click the **Thread** tool .
- 2 Drag in the drawing window to set the radius of the shape, then move the pointer to set the length, and click.
- 3 On the property bar, specify the distance between adjacent threads in the **Pitch** box.
- 4 In the **Distance from start or end** boxes, specify values to set the distance from the first thread to the start of the object and the distance from the last thread to the end of the object.  
You can also edit the thread's radius and length by dragging either of the blue control handles.
- 5 Click the **Well**  tool, hover over the **Right projected side** of the box until the **center snap point** appears, drag to set the radius of the well shape, then move the pointer to set the length, and click.
- 6 On the property bar, specify the distance between adjacent threads in the **Pitch** box.

## Leverage technical assets

Most technical illustrations, in 2D or 3D formats, originate from data created by CAD engineers. A technical illustrator will often use multiple applications before finishing a design. The ability to exchange this information between applications without losing data is critical to a technical illustrator's workflow.

**Enhanced! Insert 3D Model:** Unique to Corel DESIGNER X7, when you import 3D models, you can place them and resize them interactively similarly to other imported objects, and combine them with 2D vector illustrations, text, and images in the same document. Corel DESIGNER X7 offers you more flexibility when you insert a 3D model in a drawing. You can now embed a 3D model (XVL file), which gives you the option of editing the 3D model within the Corel DESIGNER (DES) file at any time. What's more, if you share the file with other users, they'll be able to work directly with the

embedded 3D model, eliminating the need to distribute both the DES and external XVL files. And just as in the previous version, you can link a 3D model, which automatically updates it in a DES file whenever the XVL file is modified in Lattice3D Studio Corel Edition.



You can embed or link 3D models in drawings.

## Give it a try

### Inserting a 3D model

- 1 With a drawing open, click **File ▶ Insert 3D Model**.

If this menu command is not available, you must update your installation to include Lattice3D Player.

- 2 Locate and open the XVL (\*.xv2) file that you want to insert.

To embed the 3D model, disable the **Import as linked file** check box.

- 3 Drag in the drawing window to insert the file at the desired size and position.

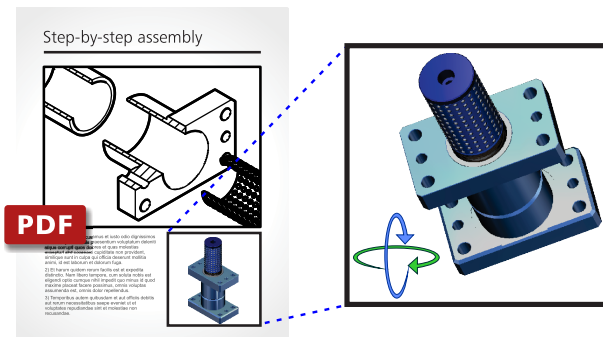
You can modify the view of the 3D model, or access stored views and cross-sections that were created in Lattice3D Studio Corel Edition.

## Unmatched publishing options

Technical graphics professionals need to easily exchange files with colleagues and clients worldwide. To that end, CorelDRAW Technical Suite X7 provides industry leading file format compatibility, including 3D PDF, .DWG, WebCGM (including S1000D support), SVG, and more.

**New! 3D PDF support:** You can publish technical drawings to 3D PDF from Corel DESIGNER X7, giving you the power to create documents that combine text, vector graphics, images, and embedded 3D models. Using a PDF reader that supports 3D PDF viewing, such as Adobe Reader, the end user can interact with the 3D model. They can intuitively rotate, move and size it, access assembly and part structure information, and take a look inside a 3D model by displaying cross-sections.

3D PDF is an excellent cross-media format. In addition to being ideal for electronic distribution, it can also be used for print, with the 3D content being printed in its default view.



You can create 3D PDFs.

### Give it a try

#### Publishing to 3D PDF

- 1 Open the sample file **X7-illustrationsample.des**.

This file can be found in the sample files, available for download:  
[www.coreldraw.com/cdtsx7samples](http://www.coreldraw.com/cdtsx7samples).

The sample file contains an embedded 3D model.

- 2 Click **File** ► **Publish to PDF**.

### Give it a try

- 3 In the **Publish to PDF** dialog box, click **Settings**, and choose Acrobat 8.0 or higher from the **Compatibility** list box to ensure that the 3D model is interactive in PDF readers.

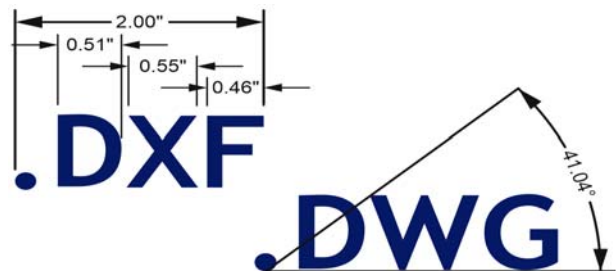
- 4 In the **Publish to PDF** dialog box, click **Save**.

- 5 In a PDF reader that supports 3D PDF viewing, such as Adobe Reader, open the file you created in step 4.

The 3D model can be rotated, panned, and more.

#### Enhanced! AutoCAD (DWG/DXF) support:

Corel DESIGNER X7 has an array of intuitive Dimension tools and features, including the ability to accurately measure objects and distances in projected space. Enhanced support for the AutoCAD Drawing Database (DWG) format simplifies working with dimension shapes when you import those files. In addition to layer structure and hatch fills, Corel DESIGNER X7 recognizes dimension shapes in DWG files, allowing you to use the Dimension tools to easily change arrowheads on dimension lines, reposition dimension text, and update associative dimensions when modifying a shape. You also have the option of maintaining the exact look of the dimension shape, which converts it to curves and text. And when you export to DWG/DXF, dimension shapes are editable in CAD applications, such as AutoCAD or CorelCAD.



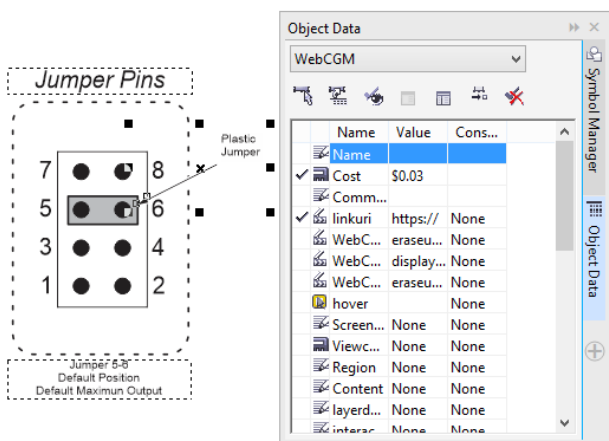
Corel DESIGNER X7 recognizes dimension shapes in DWG files.

**Enhanced! Hotspotting callouts:** Corel DESIGNER X7 provides an array of tools for creating and modifying callouts. If your drawings are used in interactive electronic technical manuals (IETMs), you can now make

those files even more information-rich by adding hotspots to callout shapes. Then, when you output a drawing to a CGM v4 file, the callout is responsive when clicked or hovered over. Working in the Object Data Manager docker, you can link a callout shape to a web page, jump to a section in another file specific to the callout shape, or display a screentip. For example, you can link a part in a design to an online parts catalog, allowing for instant access to specific, up-to-date information, such as price and availability.

The Object Data Manager docker also provides access to the object properties of callout shapes, which makes it easy to base callout text on object properties. This means that callouts created with object metadata are dynamic, and saves you time from having to update callouts when you produce iterative modifications of an illustration.

With Corel DESIGNER X7, you can also draw linked callouts by snapping the callout arrowhead to a snap point in an object. Linked, or "sticky" callouts are attached to the source object similarly to connector lines. This means that when you move the source object, the linked callout moves with it. You can also specify how the callout behaves when the source object is moved; for example, the entire callout moves, or just the leader line moves while the callout text maintains its position. In addition, you can break the link at any time.

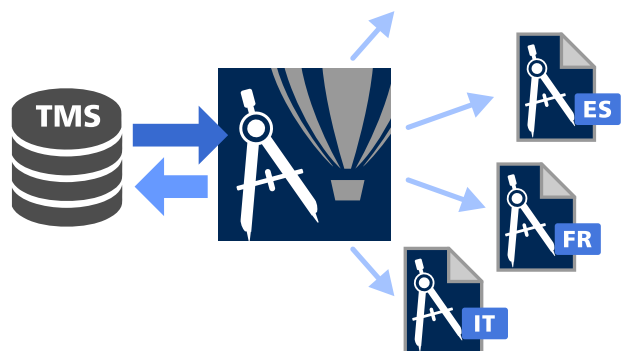


You can add hotspots to callout shapes.

## Advanced standards compliance

The diagrams, graphics, and illustrations that are created by technical graphics professionals are viewed on a number of platforms — print, the web, online Help systems, and IETMs — and for a global audience in multiple languages. Therefore, technical illustrators require output options that ensure compliance with multiple standards-based systems, including TMS, and industry-standards such as S1000D, PDF/A, and more.

**New! TMS support:** Corel DESIGNER X7 simplifies the creation of technical documentation for a global market and reduces localization costs by offering the ability to send text to and receive text from a Translation Memory System (TMS). You can export text from a drawing to the XML Localization Interchange file format (XLIFF), the industry-standard format for sharing translatable text between a TMS and software. Then, when you receive the translated text back, it can be imported into the existing document, creating a new, language-specific file with identical content except the translated text strings. All text in single- or multi-line annotations, tables, callouts - even artistic text, isometric text, or text on a curve - can be exported for translation, all the while maintaining formatting such as font type, bolding, italics, and more. You also have the flexibility to exclude a text object from translation or to discard any text formatting. What's more, Corel DESIGNER X7 supports both XLIFF 1.2 and the new XLIFF 2.0 standard.



Corel DESIGNER X7 simplifies the creation of technical documentation for a global market.



## Give it a try

### Working with translated text

**1** Open the sample file **X7-illustrationsample.des**.

This file can be found in the sample files, available for download:  
[www.coreldraw.com/cdtsx7samples](http://www.coreldraw.com/cdtsx7samples).

The sample file contains text.

**2** Click **File ▶ Import for Translation**.

Locate the folder where you want to save the file that will contain the translated text, and click **Save**.

**3** In the **Open** dialog box, choose the file **X7-illustrationsample-EN-DE.xlf**, and click **Open**.

This XLIFF file contains German translations of all text objects in the file **X7-illustrationsample.des**.

**4** Click **Open**.

The English text is replaced with German text.

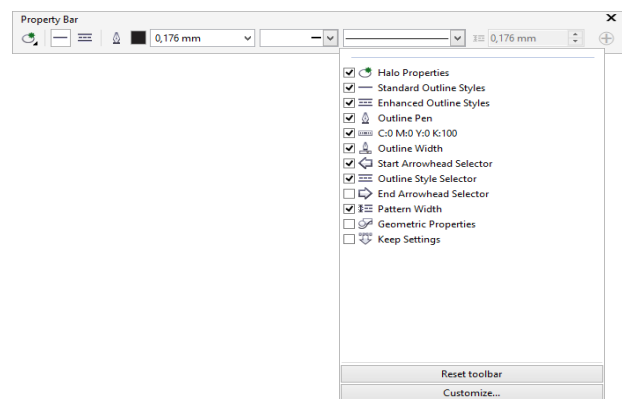
**Enhanced!** **File support:** Corel DESIGNER X7 has enhanced support for the latest versions of two formats widely used in technical publication, WebCGM and SVG. You can also work with the most-recent versions of files from Adobe® Illustrator® (AI), Adobe® Photoshop® (PSD), and Adobe® Acrobat® (PDF) products. In total, Corel DESIGNER X7 lets you import and export more than 100 up-to-date vector graphics, bitmap image, document and other data file formats.

## Work faster and more efficiently

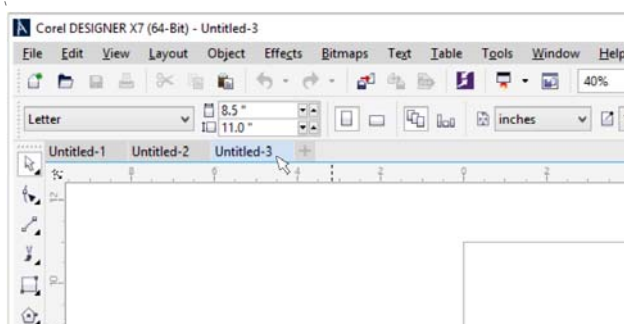
Technical communication professionals are always seeking new ways to streamline their workflow and work faster. CorelDRAW Technical Suite X7 offers a wide array of time-saving new and enhanced features.

**New! Workspaces:** A variety of tailor-made, workflow-specific workspaces have been introduced in Corel DESIGNER X7, CorelDRAW X7, and Corel PHOTO-PAINT X7. We've worked with experts from a variety of industries who use the suite routinely to arrange tools and features in Corel DESIGNER for specific tasks, such as Diagramming and Technical Illustration. There are also CorelDRAW and Adobe Illustrator workspaces, which will help new users get up to speed within a familiar environment. Another option for new users is the Lite workspaces, which provide exploration-friendly, scaled-down options in the toolboxes and property bars. And for longtime users, there's a Micrografx Designer workspace containing legacy menu commands and toolbar settings.

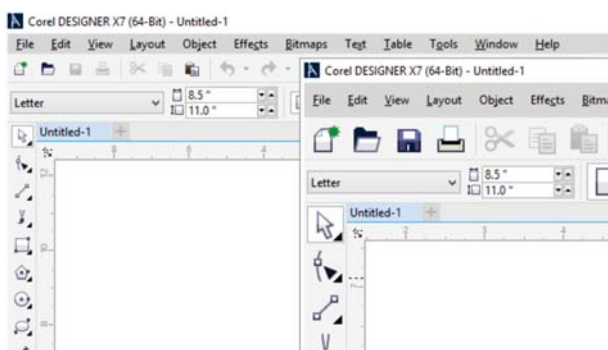
**New! Instant customization:** The toolbox, dockers, and property bars contain handy new Quick customize buttons which will help you tailor the interface to suit your workflow. These buttons offer a faster and more convenient way to add dockers to your workspace, add or remove tools from the toolbox, and add or remove items from a property bar.



**New! Multiple document interface:** You can now work with multiple documents in a tabbed view, which helps you stay organized and quickly switch between several active documents.



**New! High-resolution monitor support:** Corel DESIGNER X7 has been optimized for high DPI resolutions, ensuring that user interface elements appear crisp and legible when displayed on high resolution monitors. And for those who work with multiple monitors, you can drag a document out of the application window and place it within a second screen, dedicating one monitor to the illustration and the other to frequently used dockers and toolbars.



**New! Overflow buttons:** For tablet and mobile device users, new overflow buttons have been added to the toolbox, property bar, dockers, and color palettes to indicate the presence of additional controls that do not fit within the workspace. You simply click an overflow button to instantly access the hidden tools or controls.

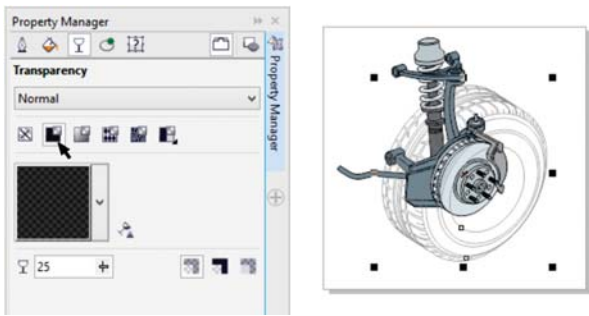
**New! Content Exchange:** The new Content Exchange is an online repository that integrates with Corel CONNECT and the suite's applications, making it quick and effortless to access and share vector fills, bitmap fills, and fountain fills with a community of other users. You can instantly set any asset that catches your eye in the Content Exchange as a favorite, which is a quick and convenient way to keep a list of content that you might want to download later.

**Enhanced! Fill tools:** In Corel DESIGNER X7, the new Edit Fill dialog box gives you more efficient access to all available controls for Uniform, Fountain, Vector pattern, Bitmap pattern, Two-color pattern, Texture, PostScript, and Vector hatch fills. The Edit Fill dialog box also provides a real-time preview as you make adjustments.

The new Fill picker makes browsing, searching, previewing, and selecting fills quick and easy. The Fill picker also provides access to both locally stored fills and those available in the Content Exchange. You can now instantly create new bitmap pattern and vector pattern fills from selected objects in your workspace and share the new fill to the Content Exchange.

**Enhanced! Transparency:** You can now apply transparency to individual color nodes within a fountain fill, allowing you to adjust an object's transparency so that all objects beneath it are partially visible.

In addition, transparency settings have been added to the Property Manager dock in Corel DESIGNER X7 (and the Object Properties dock in CorelDRAW X7), making it faster and easier to apply and adjust object transparency. New options help you to quickly specify whether transparency is applied to an object's outline, fill, or both. Plus, you can instantly save transparency settings as a style to enable effortless reuse of the effects you use most often.



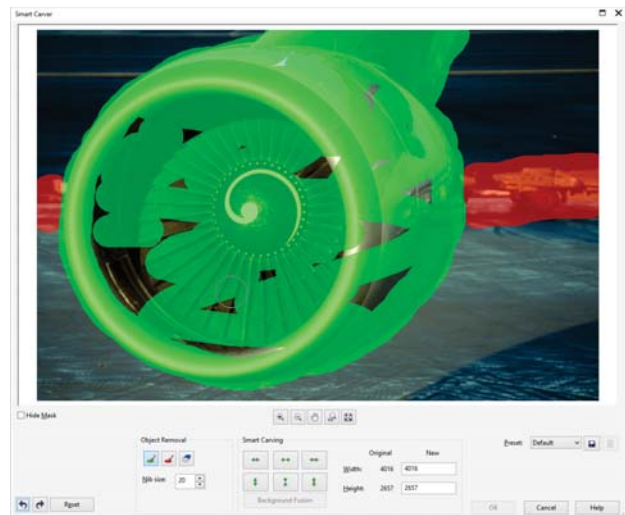
*It is faster and easier to apply and adjust object transparency.*

**Enhanced!** Corel PHOTO-PAINT X7: This professional image-editing application offers technical illustrators and technical graphics users a broad range of professional and advanced photo-editing tools, which are ideal for producing high-quality photo-based technical documentation. Corel PHOTO-PAINT X7 includes a variety of new tools and creative options for retouching photos, such as the Liquid tools, Unsharp Mask Lens, Planar Mask tool, a series of camera effects, and interactive brushstroke feathering and transparency.

You can adjust the properties of a group of objects in a way that is non-destructive to the individual objects within the group. For example, you can adjust transparency levels for the whole group without altering the pixels of individual objects.

The Smart Carver makes it easy to remove unwanted areas from a photo and simultaneously adjust the photo's aspect ratio. For example, you might need to define an area of a photo that you would like to keep or remove, such as an element that should not be included in the documentation. The versatile Object Removal brush lets you choose to paint either the area of the photo that you want to preserve or the area that you want to remove.

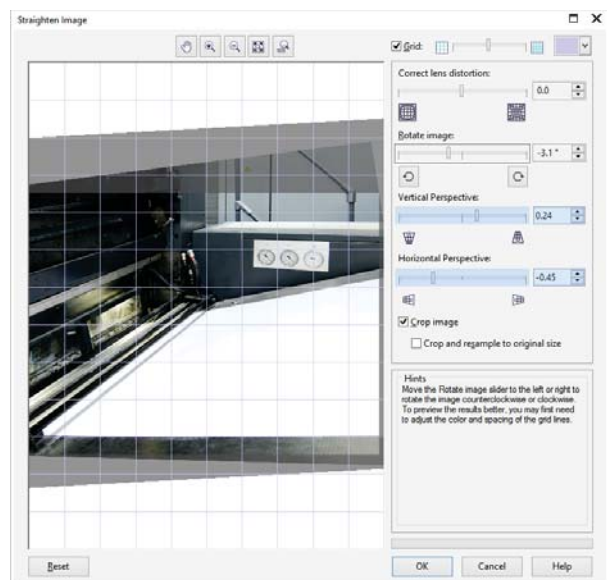
You can also use the Smart Carver to change a photo's aspect ratio without distorting anything in the photo. For example, if you want to resize a photo to fit into the dedicated page layout for your documentation, you can paint the photo's subjects and then use the Smart Carving presets to contract or expand the photo's background vertically and horizontally.



*The Smart Carver makes it easy to remove unwanted areas and adjust the photo's aspect ratio.*

A Technical Suite Premium Membership gives you access to even more tools and features in Corel PHOTO-PAINT X7, including the ability to correct perspective distortions in photos that have straight lines and flat surfaces such as architectural photos and photos of buildings.

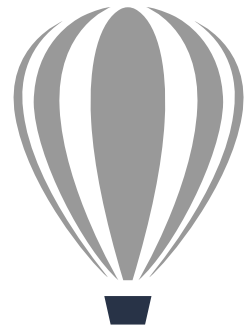
What's more, Technical Suite Premium Membership offers AfterShot, CorelDRAW Edition, a RAW converter, non-destructive photo editor and high-speed photo manager in one. It gives you the tools to control every aspect of your photo workflow whether you are making detailed adjustments to a single photo or batch processing multiple RAW images.



*You can easily straighten images that were scanned or photographed at an angle.*



# 5



## Advanced 3D CAD repurposing: Lattice3D Studio CAD Corel® Edition (optional add-on)

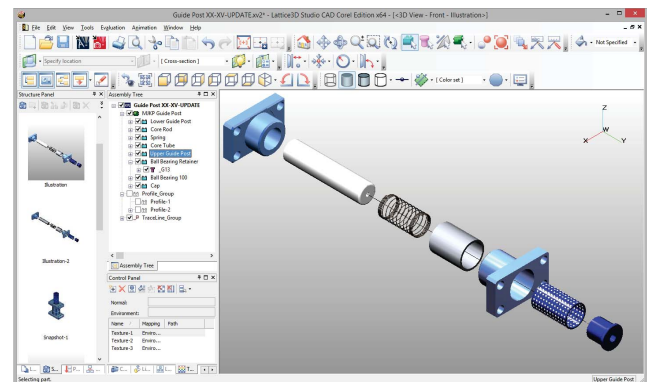
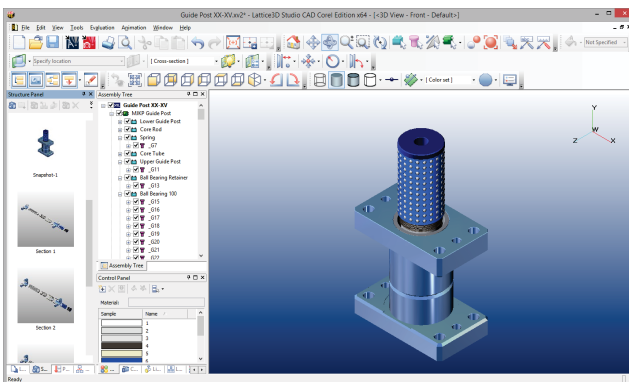
For organizations that require additional 3D editing capabilities and direct access to 3D CAD assembly files, CorelDRAW Technical Suite X7 offers an upgrade to Lattice3D Studio CAD Corel Edition. This add-on provides native assembly and part file support for 3D CAD systems used in discrete manufacturing, such as the automotive, aerospace, and machinery industries. Lattice3D Studio CAD Corel Edition lets users do more with CAD files without the steep learning curve of 3D CAD software.

Lattice3D Studio CAD streamlines the workflow of technical communication professionals by reducing the need to consult design engineers when preparing graphics content. It supports a broad range of native 3D CAD file formats,

such as assembly and part files from CATIA, SolidWorks, PTC Creo Parametric (formerly Pro/ENGINEER), Autodesk Inventor, NX, SolidEdge, and more. It also supports 3D CAD exchange formats, such as JT, IGES, STEP, and Parasolid.

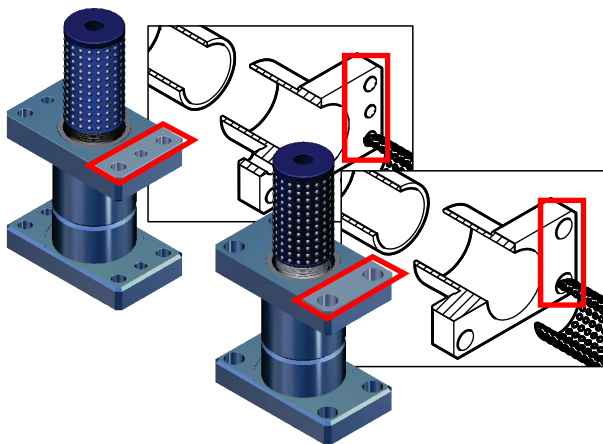
### Update / replace assembly functionality:

Once a design moves to the production phase, construction changes are common. With Lattice3D Studio CAD, you can update early designs at any time due to changes determined by construction. Disassembly views, animations, and other 3D authoring functions are maintained, so that you can efficiently update technical illustrations with the most current revision of the manufacturing design.



*The update or replace assembly functionality offered by Lattice3D Studio CAD Corel Edition helps you ensure that the most current manufacturing revisions are reflected at any time in the visualization workflow.*

**New! Update a 3D-sourced illustration:** To speed up technical-publication authoring, CorelDRAW Technical Suite X7 with Lattice3D Studio CAD Corel Edition offers the **Auto Detection and Update** command. It updates 3D visualizations created in Lattice3D Studio CAD, stored snapshots, cross-sections and animated procedures — including process animations for illustrating complex, multi-step assembly, disassembly, or maintenance procedures — based on the modifications applied to the CAD source data. New in CorelDRAW Technical Suite X7, it also lets you automatically generate updated vector illustrations to replace ones in DES files that were created using the **Send to Corel DESIGNER** command. The illustration specifications, such as view, positions of the objects, line weights and export settings, are fully recognized and maintained. As a result, the illustrations are recreated using the updated 3D model and inserted in the same place as the original, allowing technical illustrators to start a publication with a preliminary 3D design and update it with the final design instantly.



*You can automatically update 3D-sourced illustrations.*

## Give it a try

### Updating a 3D-sourced illustration

To try this feature, Lattice3D Studio CAD Corel Edition is required. The trial version of CorelDRAW Technical Suite X7 includes Lattice3D Studio CAD Corel Edition (30-day trial).

**1** In Lattice3D Studio CAD, open the sample file **3D-assembly-v1.xv2**.

This file can be found in the sample files, available for download:  
[www.coreldraw.com/cdtsx7samples](http://www.coreldraw.com/cdtsx7samples).

**2** Click **File ▶ Send to Corel DESIGNER**.

**3** In the **Send to Corel DESIGNER** dialog box, make sure the **Add snapshot** check box is enabled, and click **Send**.

In Corel DESIGNER X7, the 3D illustration is inserted in the active page. If the application is not running, it will launch automatically.

**4** Click **File ▶ Save**.

**5** In Lattice3D Studio CAD, save **3D-assembly-v1.xv2**.

**6** Open the sample file **3D-assembly-v2.xv2**.

This file contains a modified version of the 3D model.

**7** Click **File ▶ Auto Detection and Update**.

**8** In the **Auto Detection and Update** dialog box, choose the file **3D-assembly-v1.xv2** in the **Edited XVL** box.

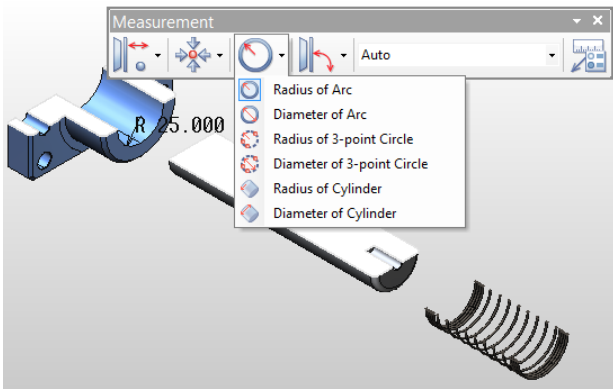
**9** Click **OK** to all warning messages that appear.

**10** In Lattice3D Studio CAD, click the **Apply and Execute** button.

**11** In the **Auto Detection and Update** dialog box, enable the **Update Illustration in Corel DESIGNER** check box, and click **OK**.

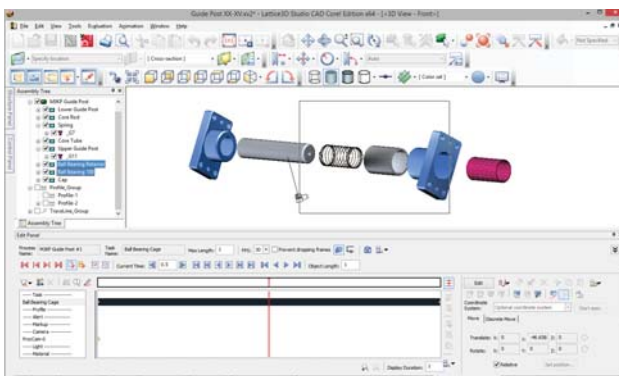
The 3D illustration is updated in the DES file.

**Evaluation tools:** Before 3D models and data can be used in downstream applications, the integrity of the 3D model requires validation. Lattice3D Studio CAD provides assembly evaluation tools for geometry and measurements, interference check, and collision detection so you can quickly verify the integrity of a 3D assembly.



**Additional 3D CAD tools:** With Lattice3D Studio CAD, you can edit 3D models and combine 3D models from different CAD sources. It provides a rich 3D CAD toolset that lets you modify and transform 3D parts, shapes, and assemblies.

**Animation tool set:** Lattice3D Studio CAD provides a full set of animation tools, including a dedicated editing console as well as a method for automated creation of disassembly animations. Process animations can be created to capture complex, multi-step assembly or maintenance procedures with detailed instructions. The hierarchical structure of the Assembly Tree view and the ability to create custom tree structures for disassembly and process animations gives you full control over the creation of assembly, sub-assembly, and part structures for use in illustrated assembly and maintenance instructions.



**Online and mobile outputs:** Lattice3D Studio CAD supports output of 3D models to HTML5 and for mobile devices. By using the highly compressed XVL<sup>®</sup> file format, you can share complex models with virtually anyone, using the free Lattice3D Player as browser plug-in for desktop/laptop or iXVL apps for iOS. XVL is the most lightweight 3D format in the industry, enabling data to be compressed to an average 0.5% of its original size with high accuracy. For example, a 500 MB 3D CAD assembly file can be shared on mobile devices as an XVL file with an approximate file size of 2.5 MB.

**3D outputs:** With Lattice3D Studio CAD Corel Edition, you can output to various 3D file formats, including 3DS, DXF, IGES, OBJ, STL, U3D, and VRML. You can also publish directly to 3D PDF from Lattice3D Studio CAD Corel Edition, using a PDF template with animation controls.

# About Corel

Corel is one of the world's top software companies providing some of the industry's best-known graphics, productivity and digital media products. Boasting the most comprehensive portfolio of innovative software, we've built a reputation for delivering solutions that are easy to learn and use, helping people achieve new levels of creativity and productivity. The industry has responded with hundreds of awards for innovation, design, and value.

Used by millions of people around the world, our product lines include CorelDRAW® Graphics Suite, CorelDRAW® Technical Suite, CorelCAD™, Corel® Painter®, Corel® PaintShop® Pro, Corel® VideoStudio®, and Corel® WordPerfect® Office. For more information on Corel, please visit [www.corel.com](http://www.corel.com).

Copyright © 2015 Corel Corporation. All rights reserved.

CorelDRAW® Technical Suite X7 Reviewer's Guide

Protected by U.S. Patents 5652880; 5347620; 5767860; 6195100; 6385336; 6552725; 6657739; 6731309; 6825859; 6633305; Patents Pending.

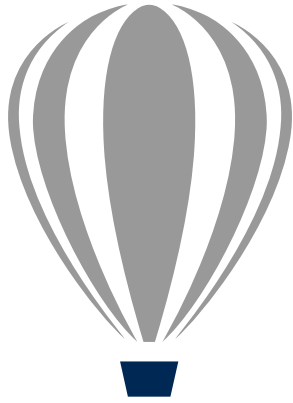
Product specifications, pricing, packaging, technical support and information ("specifications") refer to the retail English version only. The specifications for all other versions (including other language versions) may vary.

INFORMATION IS PROVIDED BY COREL ON AN "AS IS" BASIS, WITHOUT ANY OTHER WARRANTIES OR CONDITIONS, EXPRESS OR IMPLIED, INCLUDING, BUT NOT LIMITED TO, WARRANTIES OF MERCHANTABILITY, SATISFACTORY QUALITY, MERCHANTABILITY OR FITNESS FOR A PARTICULAR PURPOSE, OR THOSE ARISING BY LAW, STATUTE, USAGE OF TRADE, COURSE OF DEALING OR OTHERWISE. THE ENTIRE RISK AS TO THE RESULTS OF THE INFORMATION PROVIDED OR ITS USE IS ASSUMED BY YOU. COREL SHALL HAVE NO LIABILITY TO YOU OR ANY OTHER PERSON OR ENTITY FOR ANY INDIRECT, INCIDENTAL, SPECIAL, OR CONSEQUENTIAL DAMAGES WHATSOEVER, INCLUDING, BUT NOT LIMITED TO, LOSS OF REVENUE OR PROFIT, LOST OR DAMAGED DATA OR OTHER COMMERCIAL OR ECONOMIC LOSS, EVEN IF COREL HAS BEEN ADVISED OF THE POSSIBILITY OF SUCH DAMAGES, OR THEY ARE FORESEEABLE. COREL IS ALSO NOT LIABLE FOR ANY CLAIMS MADE BY ANY THIRD PARTY. COREL'S MAXIMUM AGGREGATE LIABILITY TO YOU SHALL NOT EXCEED THE COSTS PAID BY YOU TO PURCHASE THE MATERIALS. SOME STATES/COUNTRIES DO NOT ALLOW EXCLUSIONS OR LIMITATIONS OF LIABILITY FOR CONSEQUENTIAL OR INCIDENTAL DAMAGES, SO THE ABOVE LIMITATIONS MAY NOT APPLY TO YOU.

Corel, the Corel logo, the Corel balloon logo, CorelDRAW, the CorelDRAW balloon logo, Corel DESIGNER, CAPTURE, CONNECT, PHOTO-PAINT, PowerTRACE, Website Creator, CorelCAD, PaintShop Pro, Painter, VideoStudio, and WordPerfect are trademarks or registered trademarks of Corel Corporation and/or its subsidiaries in Canada, the U.S., and/or other countries.

Other product, font, and company names and logos may be trademarks or registered trademarks of their respective companies.





# CorelDRAW<sup>®</sup>

Technical Suite **X7**  
*includes Corel DESIGNER<sup>®</sup>*

Media Contact  
[media@corel.com](mailto:media@corel.com)



Corel Corporation  
1600 Carling Ave.  
Ottawa, ON  
Kanada K1Z 8R7

Corel UK Limited  
Sapphire Court  
Bell Street  
Maidenhead  
Berkshire SL6 1BU  
Großbritannien